



INSTRUCTIONS MANUAL

ELECTRIC CONVECTOR HEATER



MANUAL ELECTRIC CONVECTOR HEATER



INDEX

1-General Information	2
2-Safety Instructions.....	3-4
3-Intended Use Of Device.....	4
4-Technical Information.....	4
5-Installation Instructions.....	5-6
6-Safety Features.....	6
7-Cleaning And Maintance.....	6
8-Product Disposal.....	7
9-Warranty.....	7
10-Warranty Certificate.....	8

1. GENERAL INFORMATION

NAME & ADDRESS OF THE MANUFACTURER:

ECORADCO ISITMA LED AYDINLATMA ELEKTRONİK KART ÜRETİMİ
SAN.TİC.LTD.ŞTİ.

ADDRESS : MURADIYE MAH. 24. SOK. NO:21 YUNUSEMRE / MANİSA
TURKEY

TEL : +90 (236) 236 20 49

www.ecoradco.com

e-mail: info@ecoradco.com

FOREWORD

The purpose of this document is to provide important information, regarding the installation and use of this appliance.

To obtain the best possible performance and trouble free operation from your appliance it is very important to carefully read these instructions.

The manufacturer declines all responsibility for any operations effected on the appliance without respecting the instructions reported in this manual.

2. SAFETY INSTRUCTIONS

Please read the below instructions thoroughly and study the images carefully.

1- Never use the device that is damaged in any way.

2- Always connect the device to the grounded installation (socket with earth pin).

3- Do not install the heater under an electrical socket point.

4- The heating element is designed to operate in dry conditions. Do not use the device in a liquid environment.

5- Electric heater is not a toy. Children under the age of 3 should not be allowed within close proximity of the device without the supervision of an adult.

6- Children should be supervised to ensure that they do not play with the appliance.

7- Children aged 3 to 8 should only be allowed to operate the heater when it has been properly installed and connected. The child must be under adult supervision or have been trained to safely operate the device while understanding the risks.

8- Do not touch metal parts – burning risk. Always make sure that the wire does not touch the heating element that is hot.

9- Never use the device for drying purposes. Do not place wet clothing, towels, or any similar items on the product.

10- Do not block the air vents on the device under any circumstances, and avoid placing any objects on top of it.

11- The device should only be installed by a qualified installer in accordance with the applicable regulations regarding safety and all other regulations.

12- All installations to which the device is connected should comply with regulations applicable in the country of installation and use.

13- Extension leads or electric plug adapters should not be used in order to supply power to the heater.

14- The electric installation to which the heater is connected should have the right current differential and overcurrent relay (R.C.D.) OF 30 mA

15- An omni-pole cut-out is required for disconnecting the device on all poles, via joints positioned at least 3 mm apart.

16- Please check regularly if the power wire is not damaged and if the device can be used in a safe manner.

17- The device must not be connected while being installed. Unplug the device or disconnect the power wire from electrical circuit.

18- Do not open the casing.

19- The device is intended for home and office use only.

20-This appliance is not intended for use by persons (including children) with reduced physical, sensory or mental capabilities or lack of experience and knowledge , unless they have been given supervision or instruction concerning use of the appliance by a person responsible for their safety.

21-This appliance can be used by children aged from 8 years and above and persons with reduced physical, sensory or mental capabilities or lack of experience and knowledge if they have been given supervision or instruction concerning use of the appliance in a safe way and understand the hazards involved. Children shall not play with the appliance. Cleaning and user maintenance shall not be made by children without supervision.

22-If the supply cord is damaged, it must be replaced by the manufacturer, its service agent or similarly qualified persons in order to avoid a hazard.

23-Before installing or removing the device, make sure it is disconnected from the power source.

24-Do not open the device-any interference with internal components will invalidate the warranty.

25-Regularly check the device for damage to ensure it works and safe to use.

26-The device must be disconnected from the mains during cleaning and maintenance.

27-Ensure that the nearest item to your heater is at least 1.5 meters away. Excessive heat can cause your belongings to deform. Always use your heater on a stable, solid, and flat surface. Do not use it on carpets, rugs, or similar items.

3-INTENDED USE OF DEVICE

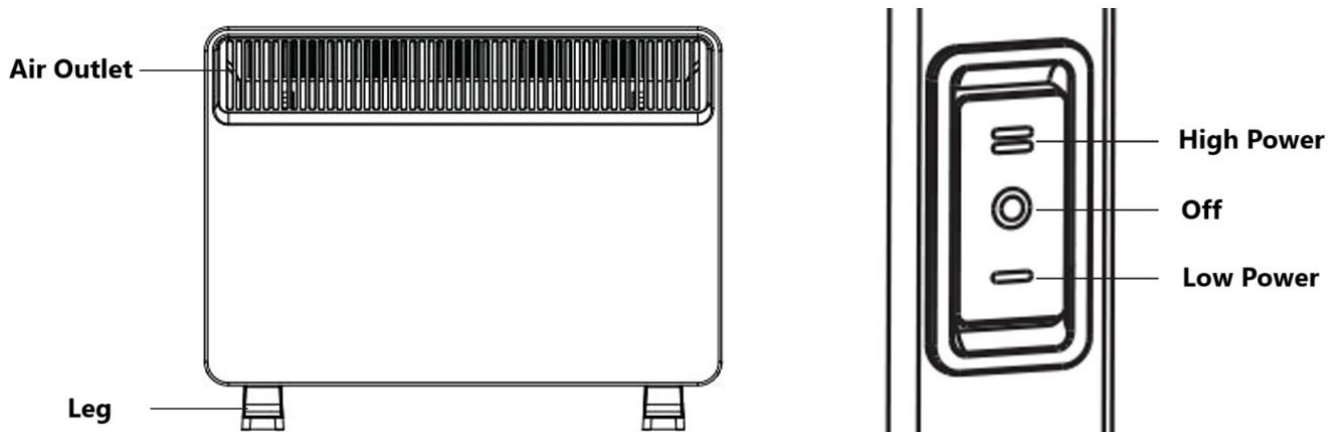
ECORADCO electric panel convectors and control units are electric heating devices designed for use in convector heaters intended for heating rooms and offices. They are not intended for drying towels or clothes. No objects should be placed on the product, and it must be kept away from water.

4- TECHNICAL INFORMATION

Convector Models	Manuel Convector - Digital Convector – Thermostatic Convector
Electric supply	230-240V / 50-60 Hz
Heating output available	2000 W, 2500W
Device protection class	Class I
Heating area	25 m ²
Casing protection mark	IP20
Certification	This product is CE and UKCA certified, meeting all relevant standards and regulations.

5- INSTALLATION INSTRUCTIONS

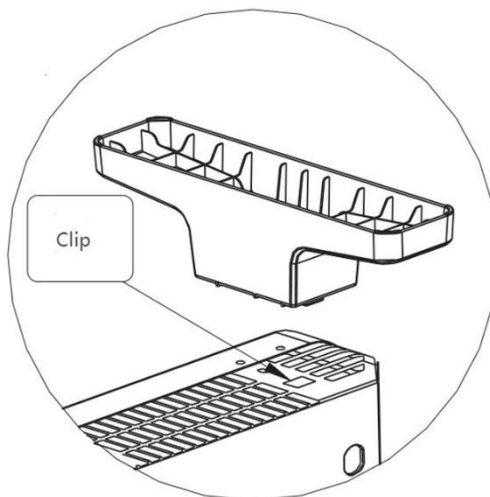
5.1 Description of body parts



2.2 Foot Installation

1. Turn the heater completely upside down, unscrew the pre-attached location screw.
2. Insert the foot into the slot and make sure it is aligned correctly.
3. Tighten the screw to secure. High Power Off Low Power
4. Return the heater to the upright position.

Warning: To avoid a hazardous situation, only operate the heater with the feet attached.



2.3 USAGE INSTRUCTIONS

1. Turn the thermostat fully counterclockwise and set it to the \ominus position.
2. Set the main switch on the heater to the OFF position.
3. Plug the power cord securely into the outlet and turn on the power from the mains.
4. Turn the thermostat fully clockwise and set it to the \oplus position.

5. Turn the switch on the heater to either the low or high power position to turn on the heater.
6. The power indicator light on the heater will illuminate to indicate that the heater is operating.
7. Once the room temperature reaches the desired level, turn the thermostat knob counterclockwise until you hear a "click." The thermostat can now be left in this setting. If the room temperature drops below the set temperature, the device will automatically start working again until the set temperature is reached. This way, the room temperature remains stable and electricity is used efficiently.
8. To adjust the room temperature setting: Turn the thermostat knob clockwise to increase the temperature or counterclockwise to decrease it.
9. To completely turn off the heater: Turn the thermostat to the \ominus position and turn the ON/OFF switch to the OFF position, turn off the power at the mains and remove the power plug from the outlet.

6- SAFETY FEATURES

If your convector heater unexpectedly shuts off or is not functioning, one of its safety features may have been activated to prevent overheating. Ensure that the heater is plugged in and that the electrical outlet is working. Check your temperature setting; the heater may have turned off because it reached the desired temperature, or the timer setting may have expired. Make sure the heater is properly installed. If the heater is incorrectly installed and malfunctioning, it could lead to a burning smell or smoke. Check for any obstructions in front of the heater. If there are any obstructions, TURN OFF the heater and unplug it. Allow the heater to cool completely, then remove the obstruction. Plug the heater back in and follow the OPERATING INSTRUCTIONS.

The product is equipped with a tip-over sensor to prevent accidents; if the unit is tipped over, it will shut off power. Additionally, there is an overheat sensor that will turn off the product in case of overheating, and it will resume operation once it cools down.

7- CLEANING AND MAINTENANCE

1. Light dust buildup on the heater can be removed with a soft cloth. Occasionally wipe the outer surfaces of the heater with a cloth dampened (not wet) with mild detergent and water. Before operating the heater, make sure to thoroughly dry the body with a soft, dry cloth.
2. User maintenance is not necessary or recommended. If service is required, take your heater to the nearest authorized service center.
3. When not in use, store the heater in a clean, dry place.

8-PRODUCT DISPOSAL

This product should not be disposed of as a general waste but should be brought to the appropriate collection point for re-cycling of electric and electronic devices.

This information is provided by the sign on the product ,user manual and packaging. Information on the appropriate point for used devices can be provided by your local authority ,product distributor or the from where the product was purchased .

9- WARRANTY

1-The subject of this warranty is a Ecoradco electric convector heater. Product name and characteristics are specified on the packaging.

2-By accepting the device on purchase, the Client confirms that the product is of full value. The Client should immediately inform the Seller of any discovered faults – otherwise it will be understood that the Product was faultless at the time of purchase. This refers especially to any faults or damages of the control panel case.

3-Warranty period for the Product is 24 months from the date of purchase

4-Any claims made will be processed on production of the warranty card and the evidence of purchase. Manufacturer has the right to reject any claim on the grounds of not presenting of any of the above documents.

5-This warranty does not comprise any faults that are due to:

- Incorrect (not in accordance with the manual) installation, use or disassembly,
- Incorrect use of the heating element (ie. for any purpose that is not specified by the Manufacturer as intended for this type of product),
- Product being handled by unauthorized persons,
- Any faults or damages caused by the Client after having purchased and accepted the Product.

6-The attached Product Manual is an integral element of the Warranty. Please read it carefully prior to the Product installation and use.

7-The Manufacturer is obliged to remove any production fault within 14 working days from receipt of the faulty device to Manufacturer's premises.

8-Should the repair turn out impossible, Manufacturer is obliged to replace the faulty Product with a new, full-value unit of identical parameters.

WARRANTY CERTIFICATE

MANUFACTURER:

Name: ECORADCO ISITMA
LED AYDINLATMA ELEKTRONİK
KART ÜRETİMİ SAN.TİC.LTD.ŞTİ.

Address: MURADIYE MAH. 24.
SOK. NO:21 YUNUSEMRE /
MANİSA

TURKEY

Tel: +90 236 236 20 49

Authorized signature:

Stamp:

SELLER:

Name:

Address:

Phone:

Faks:

e-mail:

Authorized signature:

Stamp:

PRODUCT

Type : Electric Convector Heater

Trademark: ECORADCO

Model: Manuel Electric
Convector Panel

Warranty Period: 2 Years

Repair Period :20 Days

Bandrol ve Seri No:

WARRANTY CONDITIONS

- 1- Warranty period for the Product is 24 months from the date of purchase
- 2- This warranty does not comprise any faults that are due to:
 - incorrect (not in accordance with the manual) installation, use or disassembly,
 - incorrect use of the heating element (ie. for any purpose that is not specified by the Manufacturer as intended for this type of product),
 - Product being handled by unauthorized persons,
 - any faults or damages caused by the Client after having purchased and accepted the Product.
- 3- Should the repair turn out impossible, Manufacturer is obliged to replace the faulty Product with a new, full-value unit of identical parameters.